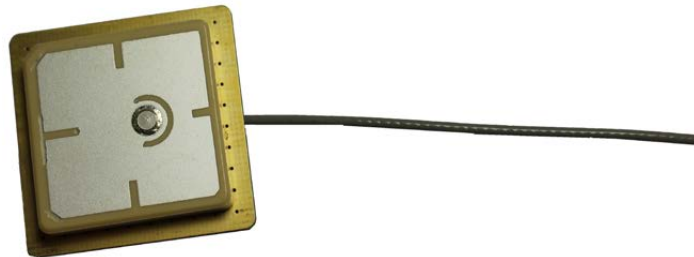


OEM Ceramic antenna 18x18x04

Specifications of Ceramic Patch Ant.



RFID



NFC



MOBILITÉ

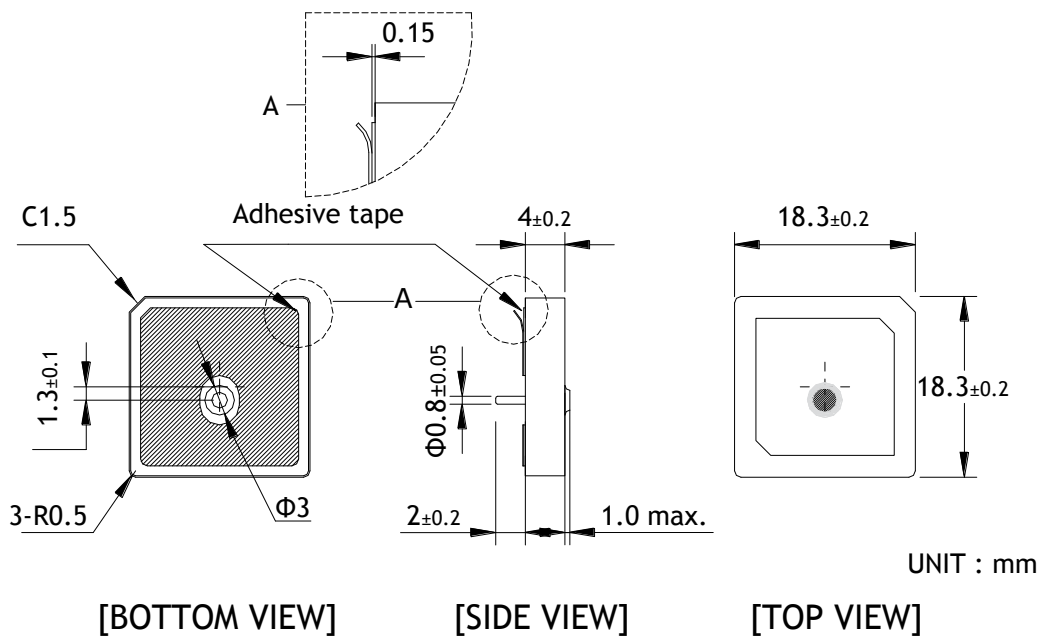
OEM Ceramic antenna 18x18x04

1. Electrical Specifications.

NO.	Parameter	Spec.			Unit	Remark
		Ant. Element	PCB & Cable Ass'y	Set Ass'y		
1	Center Frequency		866.5 ± 2		MHz	
2	Band Width	typ.	5 typ.	typ.	MHz	@ -10 dB R.L
3	VSWR	max.	2.0 : 1 max.	max.	Ratio	
4	Impedance		50		Ohms	
5	Peak Gain	typ.	-10.0 typ.	typ.	dBiL	@ PCB & Cable Ass'y.
6	Polarization		RHCP			

2. Mechanical Dimensions. (unit : mm)

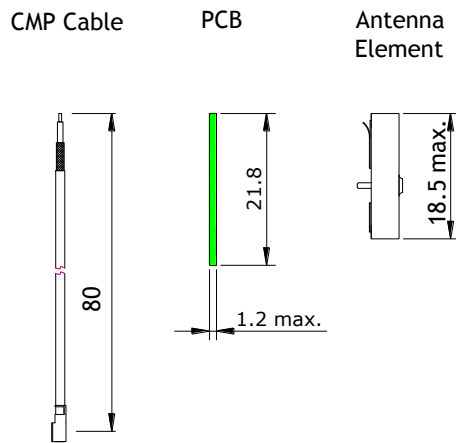
2-1. Antenna Element (The color of ceramic substrates can be changed.)



OEM Ceramic antenna 18x18x04

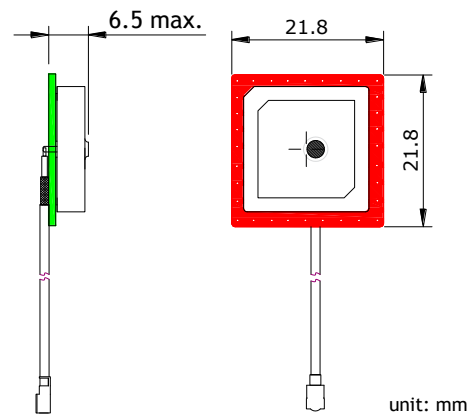
2-2. PCB & Cable Ass'y

Ass'y Part



[SIDE VIEW]

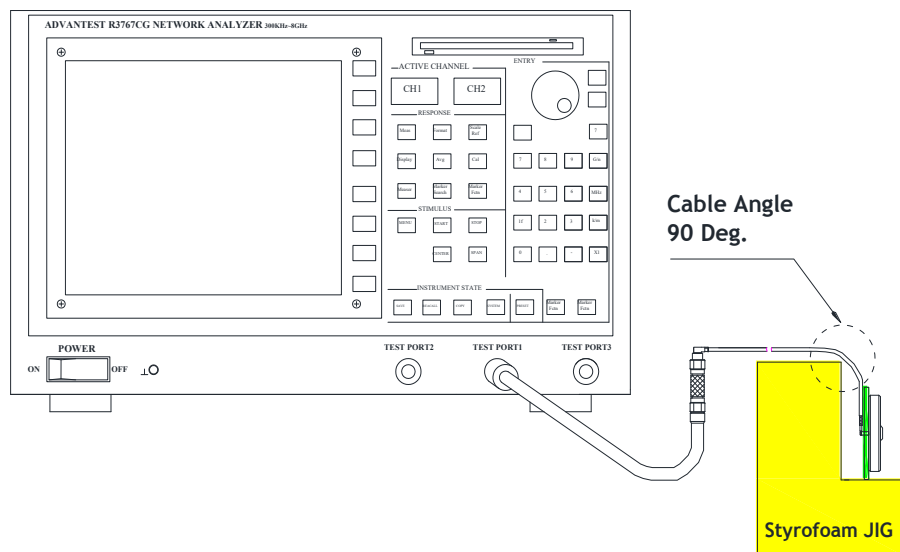
After Ass'y



[SIDE VIEW]

[FRONT VIEW]

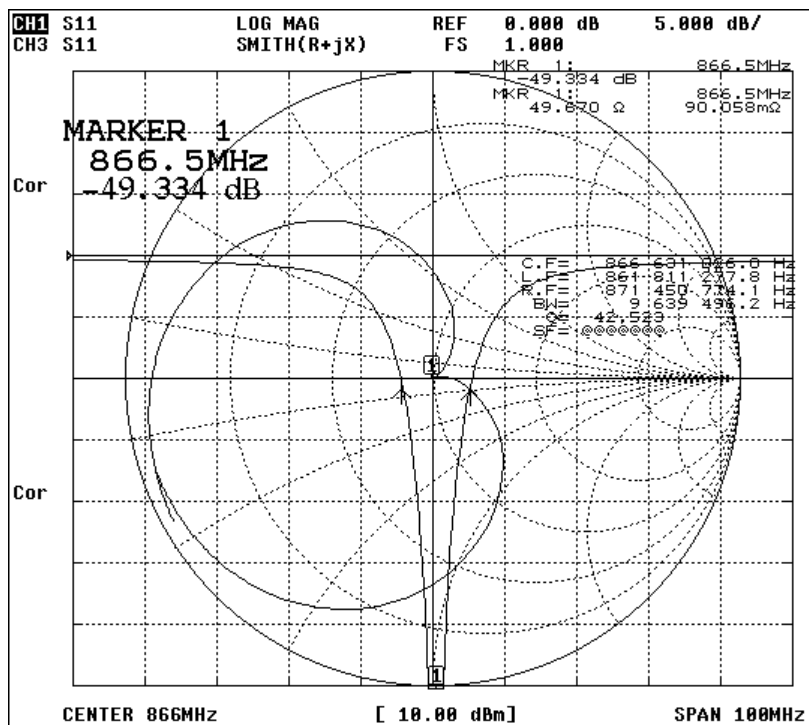
3. Test Fixture.



OEM Ceramic antenna 18x18x04

4. S11 Measurement Data.

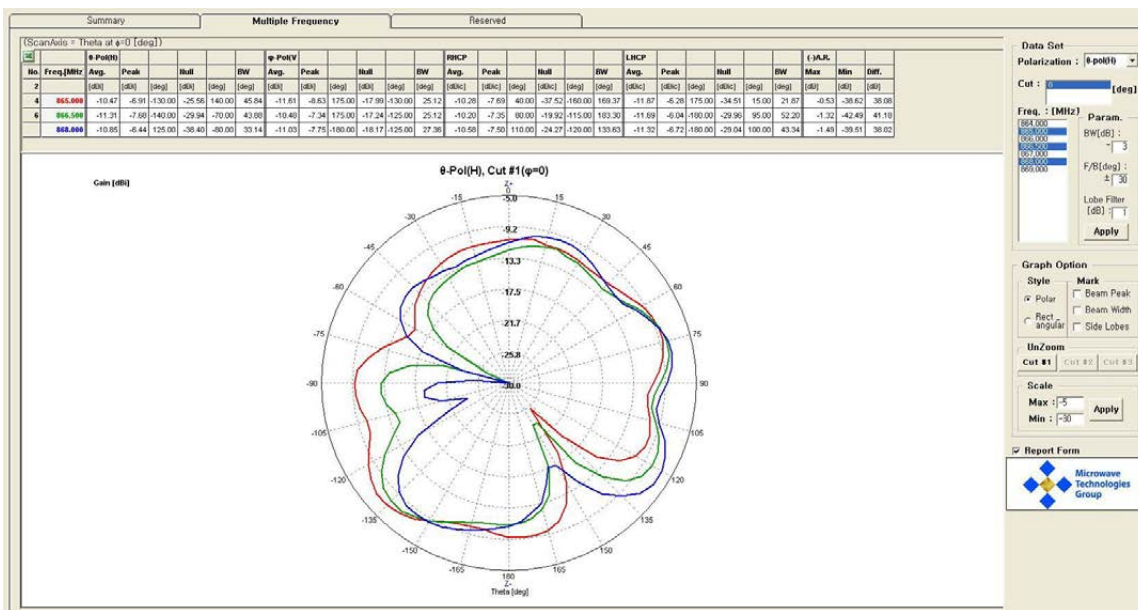
4-1. PCB & Cable Ass'y



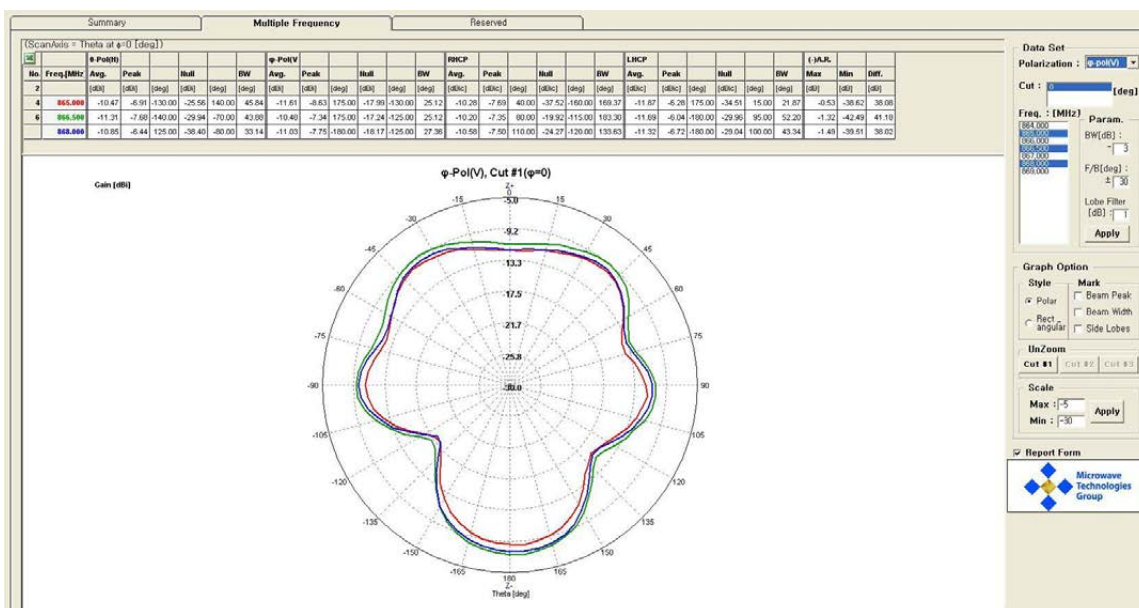
OEM Ceramic antenna 18x18x04

5. Radiation Patterns. (Test date: April 1, 2014)

5-1. H-Pol. (Frequency 865.0, 866.5, 868.0 MHz)



5-2. V-Pol. (Frequency 865.0, 866.5, 868.0 MHz)



OEM Ceramic antenna 18x18x04

5-3. Gain Test Data

Source Antenna Polarization	Gain		
	865.0 MHz	866.5 MHz	868.0 MHz
H-Pol.(dBiL)	-6.91	-7.68	-6.44
V-Pol.(dBiL)	-8.63	-7.34	-7.75
RHCP(dBic)	-7.69	-7.35	-7.50