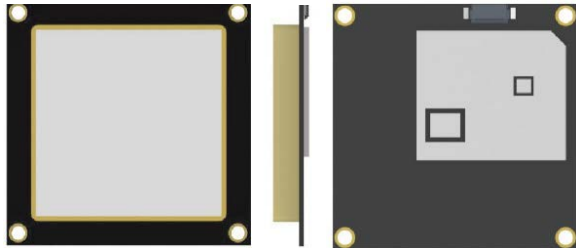


M-550

UHF OEM Integrated antenna



The M-550 Integrated Antenna is an UHF RFID module combined with a ceramic antenna in an ultra thin design. This powerful OEM reader has a stable reading distance up to 3m. It also has a wide temperature design and a low temperature drift coefficient. Ultra low power consumption, you do not need to consider any cooling problem.

Simple, convenient and effective for easy integration.

Key features

- Phychips PR9200 chip
- Ultra thin design
- Low power consumption

Functional specifications

Air interface protocol	EPC Global UHF Class1 Gen2 / ISO18000-6C
Spectrum range	865MHz - 868MHz 902MHz - 928MHz (optional)
Output Power	18 - 26dBm
Output Power Precision	+/- 1dBm
Output Power Flatness	+/-0,2dB
Receive Sensitivity	<-70dBm
Peak Inventory Speed	>50pcs/s
Tag Buffer Size	200 at 96bit EPC
Tag RSSI	Supported
Communication interface	TTL Uart interface
GPIO	2 input 2 output (3.3V TTL level)
Baud rate	115200bps (default and recommended) / 38400dps
Cooling	Air cooling (do not need external heatsick)
Input Voltage	DC 3.5V - 5V
Starting time	<80mS
Standby currently	<80mA (EN EN High Level)
Sleep currently	<100uA (EN EN low level)
Working currently	180mA at 3.5V (26 dBm Output, 25°C) 110mA at 3.5V (18dBm Output, 25°C)
Chipset	Phychips PR9200
Antenna type	Integrated ceramic antenna
Heat dissipation	Cooling: no additional cooling devices required
Supported regions	US, Canada and other regions following U.S. FCC Europe and other regions following ETSI EN 302 208 with & without LBT regulations Mainland China, Japan, Korea, Malaysia, Taiwan

M-550

UHF OEM Integrated antenna

Physical specifications

Dimensions	50 x 50 x 7,05mm incl. antenna: 40x40x4mm and module : 29,4x26,2x1,2mm
Antenna channels	Integrated Antenna

Environmental and industry compliance

Storage Temperature	-20°C - +85°C
Operating Temperature	-20°C - +70°C
Operating humidity	<95% (+25°C)

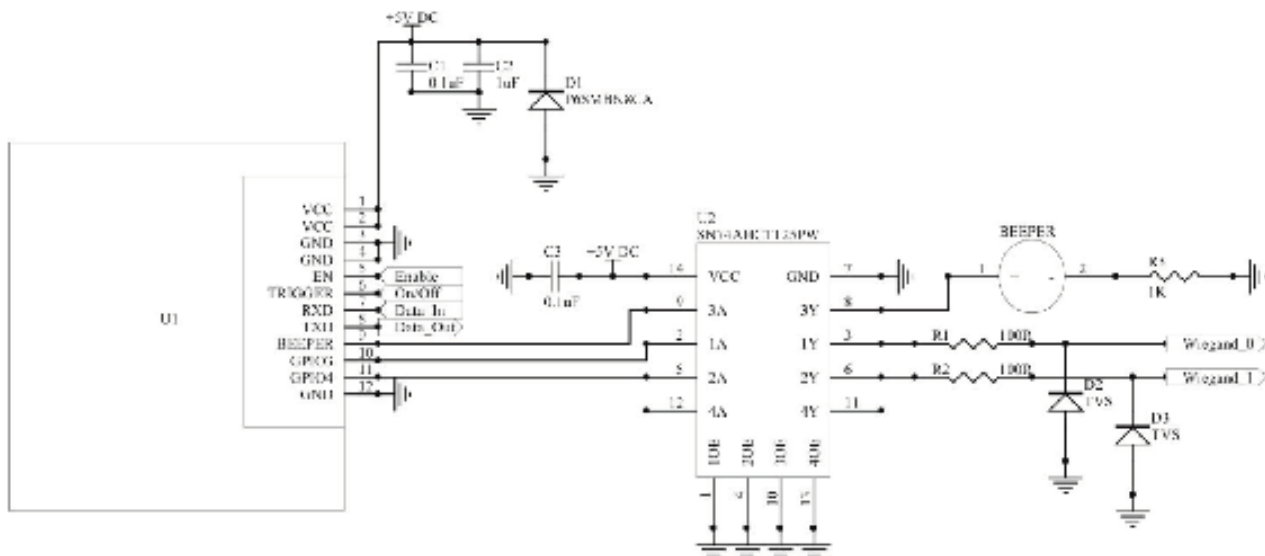
PIN Assignment of Connector (connector Mode)

FPC connector (12Pin, Pin separation distance 0,5mm)

PIN	Interface	Description
1	VCC	Power Supply DC 3.5 - 5V
2	VCC	
3	GND	Grounding
4	GND	
5	EN	High level enable
6	Trigger	Trigger (09 model, low level on)
7	RXD	UART RXD
8	TXD	UART TXD
9	Beeper	Buzzer control, need external buffer
10	GPIO3	Output IO3
11	GPIO4	Output IO4
12	GND	Grounding



REFERENCE DESIGN CIRCUIT

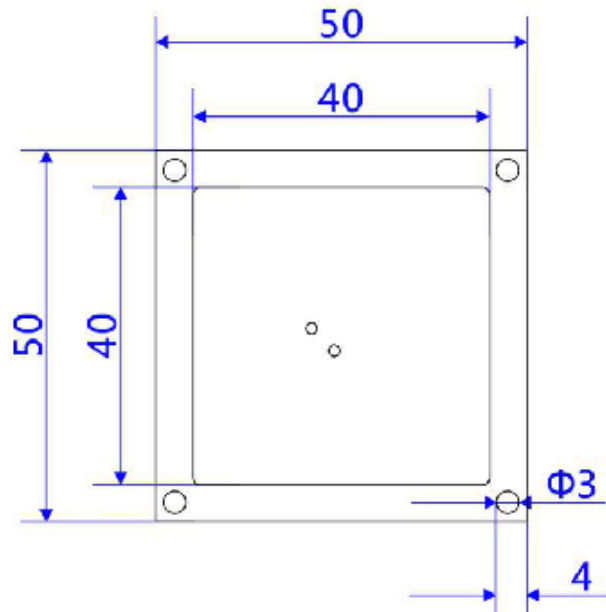


M-550

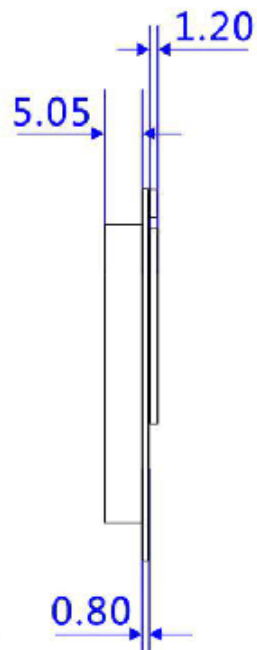
UHF OEM Integrated antenna

Dimensions (mm)

Recto



Side



Verso

