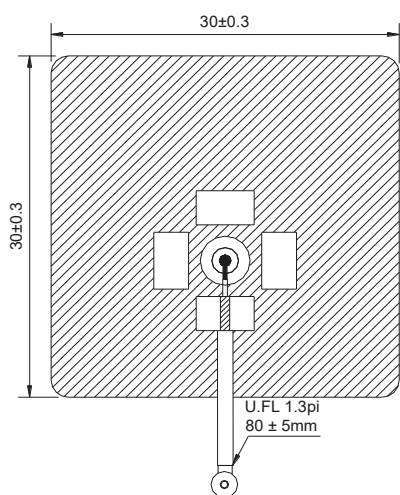


# UHF OEM ceramic patch antenna 25x25

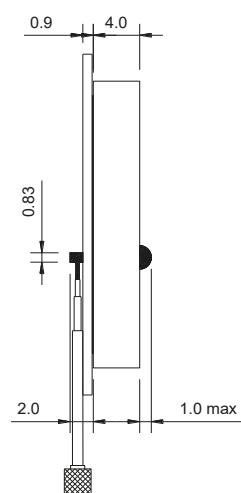


Type	UHF
Frequency	866 ± 2 MHz
Bandwidth in 10 dB	3 MHz min.
Return Loss @ Fc	-15 dB min
Peak Gain @ Fc (RHCP)	-0.44 dBic
Impedance	50 Ω
Polarization	R.H.C.P
Ground Plane	30X30 FR4 PCB

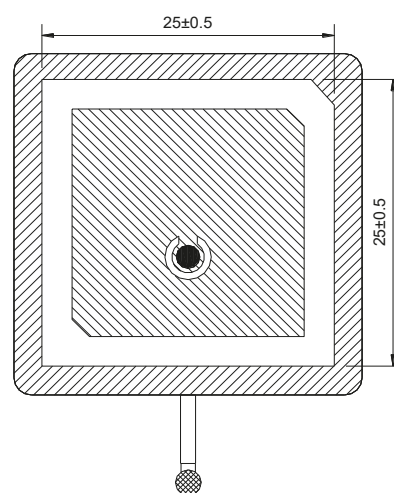
## Dimensions



[BOTTOM]



[SIDE]



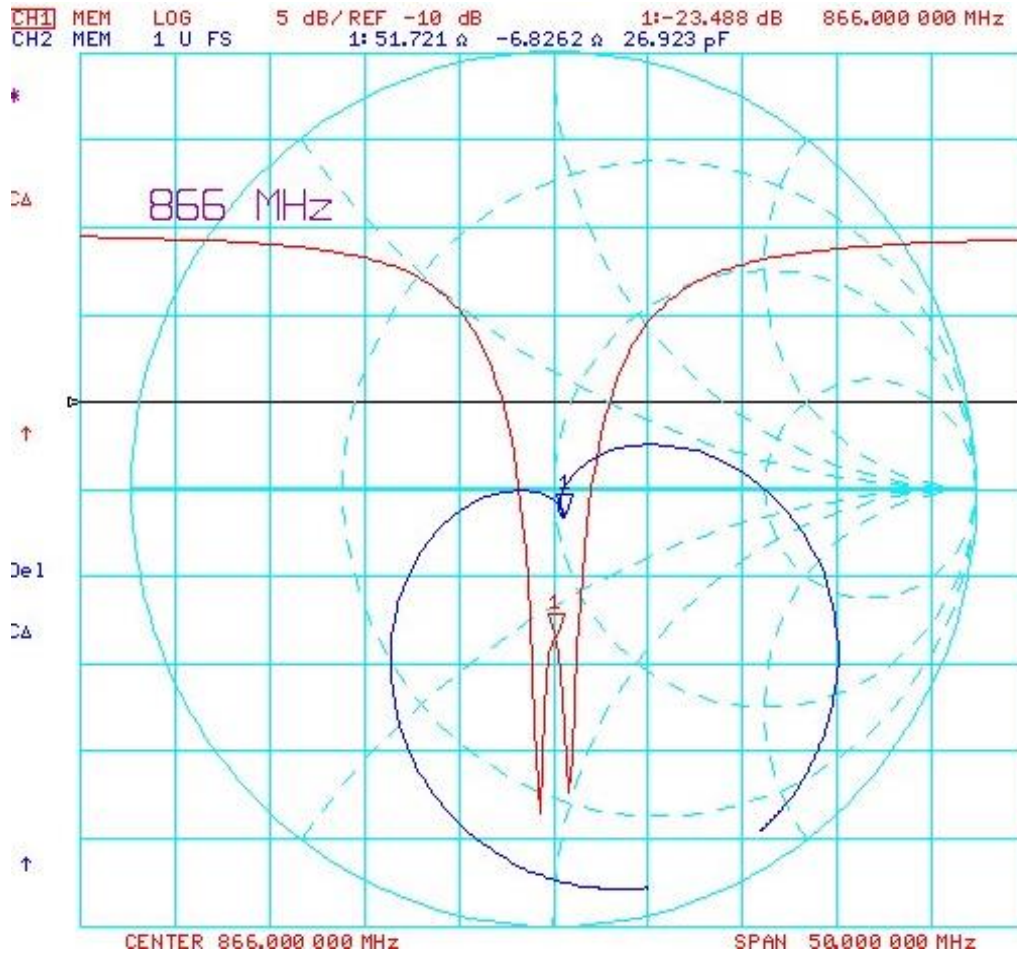
[TOP]

Tolerance Unless  
Otherwise Specified : ±0.2  
Unit : mm

# UHF OEM ceramic patch antenna 25x25

## Data

### Return Loss & Smith Chart



# UHF OEM ceramic patch antenna 25x25

## Gain

No.	Freq.	Cut#1(Theta- Avg.	Peak		Null		Diff.	BW	F/B R.		SLLL3		SLLL2		SLLL1		SLLR1		SLLR2		SLLR3
		[dBic]	[dBic]	[deg]	[dBic]	[deg]	[dB]	[deg]	[dB]	[deg]	[dB]	[deg]	[dB]	[deg]	[dB]	[deg]	[dB]	[deg]	[dB]	[deg]	[dB]
1	862.000	-5.92	-2.45	0.00	-13.68	270.00	11.24	38.42	1.04	345.00	999.00	999.00	999.00	999.00	999.00	999.00	-1.14	150.00	999.00	999.00	999.00
2	863.000	-5.07	-1.70	0.00	-12.20	270.00	10.50	37.06	0.95	345.00	999.00	999.00	999.00	999.00	999.00	999.00	-1.09	150.00	999.00	999.00	999.00
3	864.000	-4.32	-1.10	0.00	-10.81	270.00	9.51	35.95	0.81	345.00	999.00	999.00	999.00	999.00	999.00	999.00	-1.05	150.00	999.00	999.00	999.00
4	865.000	-3.79	-0.71	0.00	-9.38	270.00	8.67	36.63	0.76	345.00	999.00	999.00	999.00	999.00	999.00	999.00	-1.11	150.00	999.00	999.00	999.00
5	866.000	-4.01	-0.44	15.00	-10.23	270.00	9.79	42.88	1.25	345.00	999.00	999.00	999.00	999.00	999.00	999.00	-1.85	150.00	999.00	999.00	999.00
6	867.000	-4.75	-0.30	15.00	-14.40	270.00	14.10	43.95	1.98	345.00	999.00	999.00	999.00	999.00	999.00	999.00	-2.67	150.00	999.00	999.00	999.00
7	868.000	-5.37	-0.71	15.00	-18.40	270.00	17.69	42.36	2.08	345.00	999.00	999.00	999.00	999.00	999.00	999.00	-2.71	150.00	999.00	999.00	999.00
8	869.000	-5.97	-1.33	15.00	-20.31	270.00	18.98	40.94	1.98	345.00	999.00	999.00	999.00	999.00	999.00	999.00	-2.60	150.00	999.00	999.00	999.00
9	870.000	-6.57	-2.00	15.00	-21.28	270.00	19.28	40.02	1.85	345.00	999.00	999.00	999.00	999.00	999.00	999.00	-2.48	150.00	999.00	999.00	999.00

### RHCP, Cut #1(Theta=90)

Gain [dBic]

