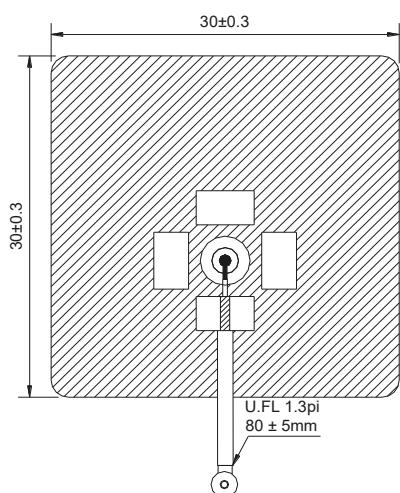


UHF OEM ceramic patch antenna 25x25

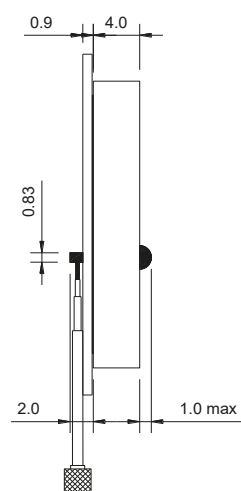


Type	UHF
Frequency	921 +/- 1.5MHz
Bandwidth in 10 dB	3 MHz min.
Return Loss @ Fc	-18 dB max
Peak Gain @ Fc (RHCP)	0 dBic Typical
Impedance	50 Ω
Polarization	R.H.C.P
Ground Plane	30X30 FR4 PCB

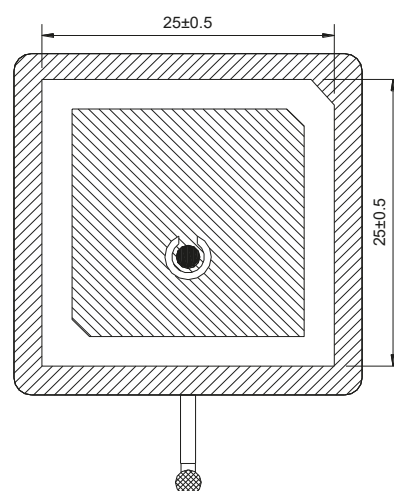
Dimensions



[BOTTOM]



[SIDE]



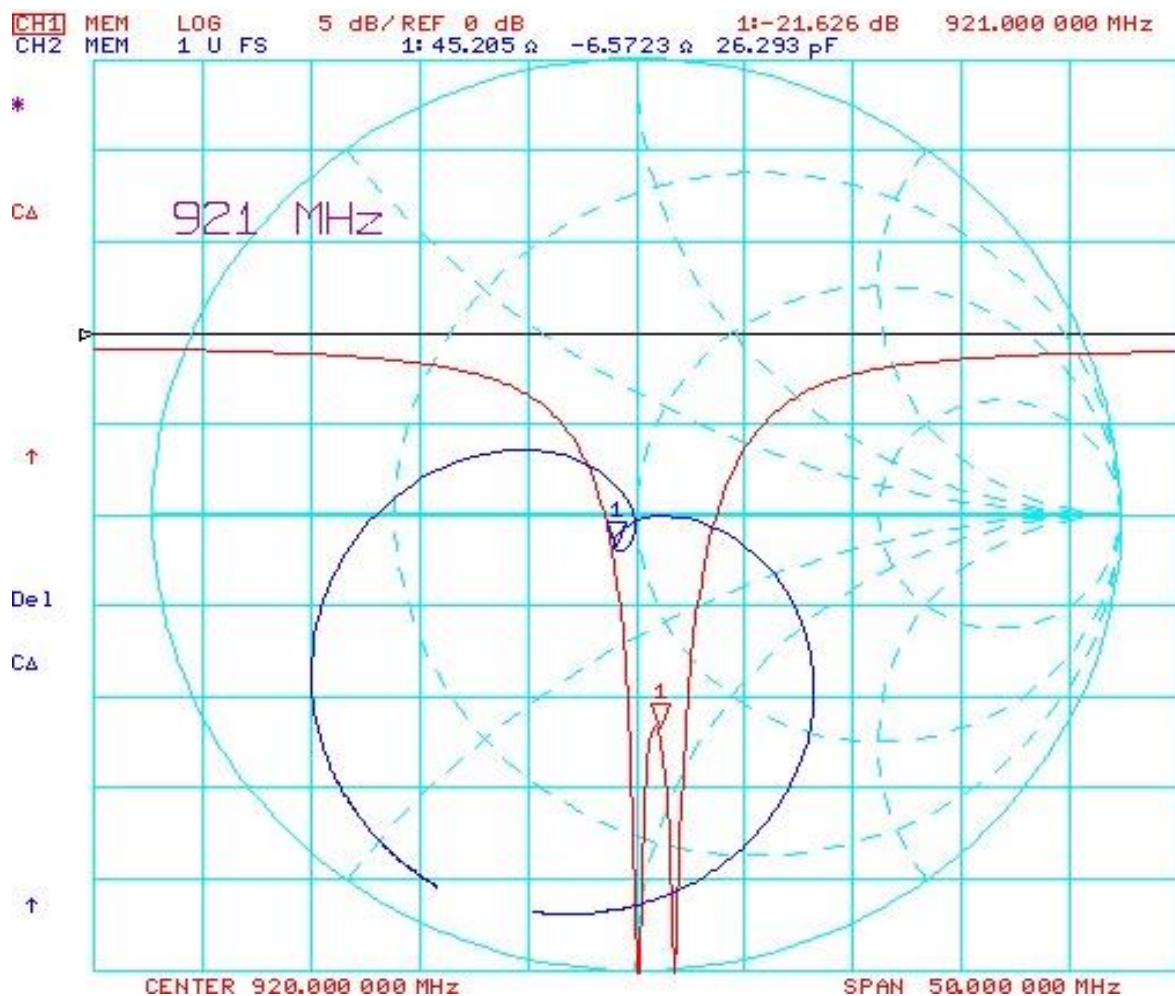
[TOP]

Tolerance Unless
Otherwise Specified : ±0.2
Unit : mm

UHF OEM ceramic patch antenna 25x25

Data

Return Loss & Smith Chart



UHF OEM ceramic patch antenna 25x25

Gain

No.	Freq.	RHCP				H(Theta=0)				E1(Phi=0)				E2(Phi=90)				
		Eff.[%]	Avg.[dBic]	Peak[dBic]	Theta[c]	Phi[deg]	Avg.[dBic]	Peak[dBic]	[deg]	BW[deg]	Avg.[dBic]	Peak[dBic]	Theta[c]	BW[deg]	Avg.[dBic]	Peak[dBic]	Theta[c]	BW[deg]
1	916.000	9.12	-10.40	-4.05	150.00	105.00	-10.77	-7.55	120.00	105.55	-11.00	-6.41	-15.00	63.13	-8.70	-4.11	150.00	36.54
2	917.000	11.45	-9.41	-3.10	150.00	105.00	-9.74	-6.52	120.00	102.75	-9.85	-5.37	-15.00	66.89	-7.74	-3.16	135.00	36.66
3	918.000	14.21	-8.47	-2.33	150.00	105.00	-8.70	-5.62	120.00	101.34	-8.63	-4.23	-30.00	70.37	-6.87	-2.35	135.00	36.55
4	919.000	17.10	-7.67	-1.97	150.00	120.00	-7.69	-4.82	135.00	100.48	-7.30	-2.90	-30.00	74.73	-6.28	-2.02	135.00	35.37
5	920.000	19.74	-7.05	-1.11	15.00	240.00	-6.73	-4.36	330.00	97.49	-6.00	-1.67	-30.00	78.75	-6.16	-1.23	-15.00	75.97
6	921.000	22.77	-6.43	-0.37	15.00	225.00	-5.97	-3.90	360.00	145.45	-5.22	-0.67	-15.00	70.80	-6.10	-0.62	-15.00	74.29
7	922.000	25.46	-5.94	-0.20	15.00	225.00	-5.70	-3.67	30.00	274.70	-5.27	-0.47	-15.00	58.46	-5.52	-0.62	-15.00	74.97
8	923.000	25.19	-5.99	-0.60	15.00	225.00	-5.97	-3.66	45.00	178.06	-5.84	-0.93	-15.00	52.83	-5.26	-1.06	-15.00	76.61
9	924.000	22.21	-6.54	-1.37	15.00	225.00	-6.65	-4.14	60.00	162.07	-6.73	-1.82	-15.00	51.21	-5.60	-1.81	-15.00	77.95
10	925.000	18.33	-7.37	-2.35	15.00	240.00	-7.57	-4.92	75.00	140.08	-7.75	-2.88	-15.00	50.70	-6.30	-2.65	150.00	29.85
11	926.000	14.80	-8.30	-3.18	150.00	90.00	-8.55	-5.81	75.00	136.33	-8.79	-3.96	-15.00	50.69	-7.15	-3.18	150.00	30.26

