

AX'Smart Reader

UHF fixed reader



The AX'Smart Reader is a RAIN RFID reader running the latest version of Android 9.0 which makes it very easy to set up and use.

It has 4 antenna ports with a maximum power of 30 dBm for industrial automation applications.

This reader is the optimal reader for the installation of an easy, stand-alone, efficient UHF RFID reading solution for a guaranteed return on investment of your overall RFID identification system.

Key features

- Android 9.0
- 4 antenna ports
- Wired (PoE, PoE+, USB, HDMI, RS232, GPIO) and wireless (WIFI, Bluetooth, 4G/LTE) connections
- Heat dissipation
- 8 threaded mounting points, M4 screws

Benefits

- Easy development on Android
- Autonomy: operates without being connected to a PC or tablet
- Fast and cost-effective installation and set-up: ready-to-use reader
- High reading performance, up to 900 tags/second

AX'Smart Reader

UHF fixed reader



General specifications

Operating System	Android 9.0
CPU	Qualcomm 1.8 GHz Octa-core
Memory	3 GB + 32 GB, option: 2 GB + 16 GB
Dimensions	214 (L) x 148 (W) x 30 (H) mm
Weight	1000g (without antenna)
Material	Aluminium alloy
Input voltage	DC 10V – 24V
Standby current	< 30mA
Work current	1300mA +/-5% @ DC 12V Input
Communication interface	1*RS-232 , 1*RJ45, 3*USB2.0 Type A, 1*Type C, USB Host
Display interface	HDMI Type A, support 720P
GPIO	4 Input optical-couplings, 4 output optical-couplings, isolation, 1 Wiegand
Baud rate	115200 bps
Cooling mode	Air cooling
Power	DC (12V), POE (802.3af 13W), POE+ (802.3at 25.5W)

User environment

Language	Java
Tool	Eclipse/Android Studio

Wireless communication

Wifi	Support 802.11 a/b/g/n/ac/d/e/h/i/k/r/v, 2.4G/5G dualband, IPV4, IPV6; Fast roaming: PMKID caching, 802.11r, OKC Operating Channels: 2.4G(channel 1~13), 5G(channel 36,40,44,48,52,56,60,64,100,104,108,112,116,120,124,128,132,136,140,149,153,157,161,165) Security and Encryption: WEP,WPA/WPA2-PSK(TKIP and AES),WAPI-PSK—EAP-TTLS,EAP-TLS, PEAPMSCHAPv2, PEAP-LTS,PEAP-GTC,etc.
Ethernet	10/100 Base-T Ethernet (RJ45)
3G / 4G	WWAN (Europe, Asie) : 2G: 850/900/1800/1900MHz, 3G: CDMA EVDO: BC0, WCDMA: 850/900/1900/2100MHz, TD-SCDMA: A/F(B34/B39), 4G: B1, B3, B5, B7, B8, B20, B38, B39, B40, B41 WWAN (Amérique): 3G: B2/B4/B5, 4G: B2/B4/B5/B7/B12/B13/B17/B28a/B28b

User environment

Operating temperature	-25 °C to +65 °C
Storage temperature	-40 °C to +85 °C
Humidity	10% - 95%

V2.2

Non-contractual datasheet

AX'Smart Reader

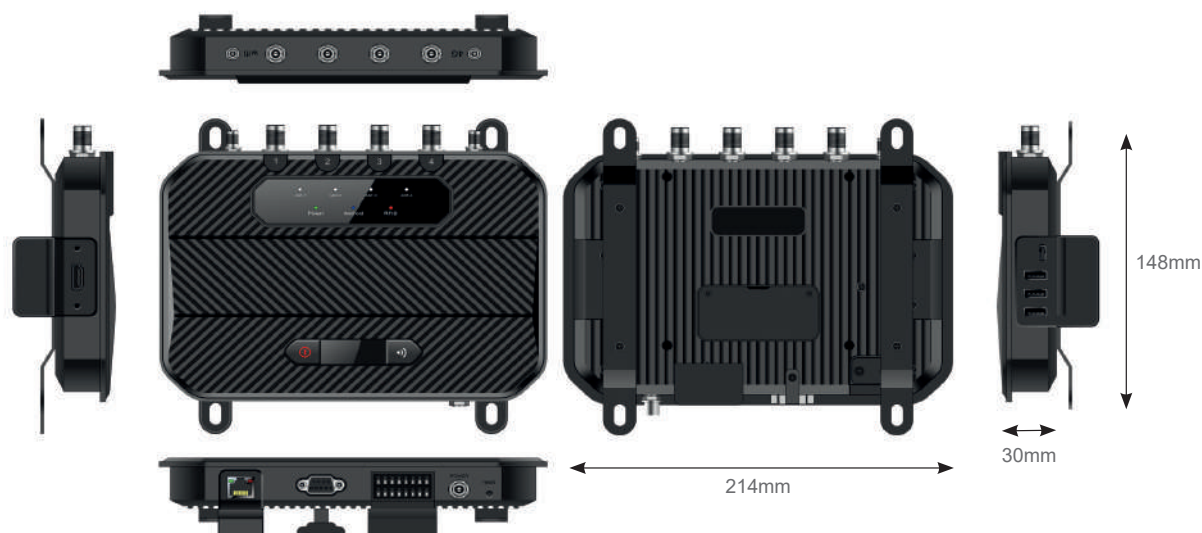
UHF fixed reader



RFID UHF

Engine	Module based on E710
Protocol	EPC global UHF Class 1 Gen 2 / ISO 18000-63
Frequency	865-868 MHz / 920-925 MHz / 902-928 MHz
Output power	1W (30dBm, support +5~+30dBm adjustable, POE/DC power) Oprion: 2W (33dBm, support +10~+33dBm adjustable, POE+/DC power, for Latin America, etc.)
Output power precision	+/- 1dB
Output power flatness	+/- 0.2dB
Receive sensitivity	< -84dBm
Fastest read rate	900+ tags/sec
RSSI	Supported
Ambient temp monitor	Supported
Antenna detector	Supported
Antenna	Supporting a variety of antennas, such as 6dBic, 9dBic
Antenna port	4 channel 50Ω TNC port

Dimensions



V2.2

Non-contractual datasheet

AXEM Technology

11-13, rue Auguste Perret - ZAC Europarc - 94042 Créteil Cedex France

Tél. : +33 (0)1 41 94 11 85 - Fax. : +33 (0)1 49 56 91 52 - commercial@axemtec.com - www.axemtec.com